



www.GE-Interlogix.com



Overview

GE's 6250FM Series Flush Mount SureShot™ can be pre-wired for wall or ceiling installation. The unit is attractively designed for a slim, flushed appearance and will neatly fit into a standard single gang box, remodel box or rough-in plate in two easy steps.

The 6250FM comes complete with four masking plates to easily select the following coverage patterns; wide angle, single spot, pet alley, vertical barrier and 360° ceiling mount.

This detector is an advanced PIR that is highly sensitive to moving infrared sources while offering increased immunity to RFI, vibration, static, stray light, rapid temperature changes, and other false alarm sources.

It features a sequential processor that combines bi-directional pulse counting and motion verification. Combining this with an opaque, high resolution Fresnel lens provides the high quality, reliability and performance that all GE products carry.

Flush Mount SureShot™ PIR

6250FM Series



Standard Features

- Easy two-step installation into a single gang box
- The only flush mount with both 360° ceiling and wall mount coverage
- Five coverage patterns included:
 - Wide angle
 - Single spot
 - Pet alley
 - Vertical barrier
 - 360° ceiling

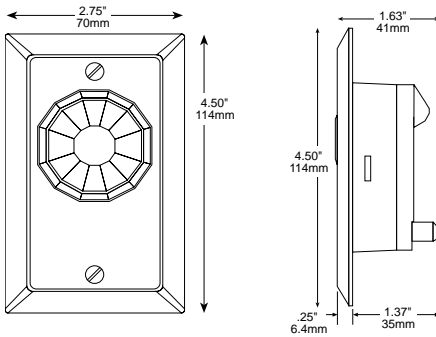
Model Numbers

6255FM, 6257FM

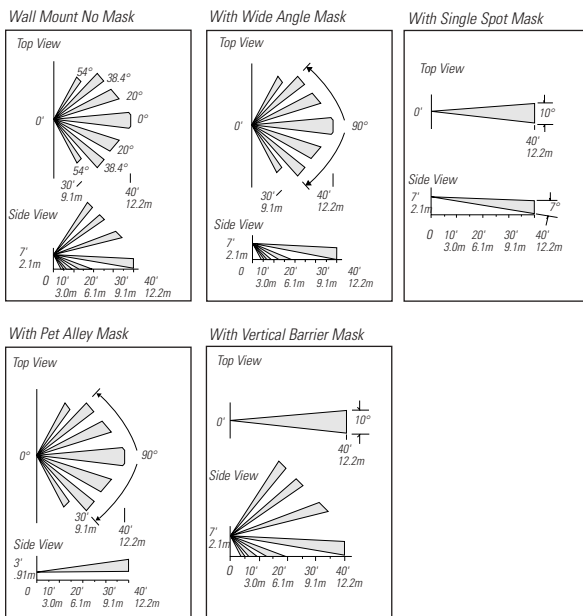
Flush Mount SureShot™ PIR

6250FM Series

Dimensions



Lens Coverage



Specifications

Electrical

Voltage
Current
Maximum loop rating
Alarm output

7 to 16V DC
 8 mA typical, 10mA max.
 16V DC, 50mA
 Fail safe contacts w/ 10 Ohms in series,
 6255 - Form A, Normally Closed (N.C.)
 6257 - Form C, Normally Closed and Open (SPDT)
 2 to 5 seconds
 Normally Closed, rating: 50mA

Alarm duration
Cover tamper contacts

Environmental
Operating temperature
Humidity
RFI immunity
Static/lightning immunity

0°F to 120°F (-17°C to +50°C)
 0% to 90% noncondensing
 greater than 10 V/meter from 1 to 1000MHz
 2.5kV, 2 joules max. energy impulse,
 1 msec rise / 50 msec decay

Features

Pulse count

Bi-directional, 1 zone (2 pulses)
 with Motion Verification

Range

Wide Angle (90°)
Single Spot
Vertical Barrier
Pet Alley (90°)
360° Ceiling

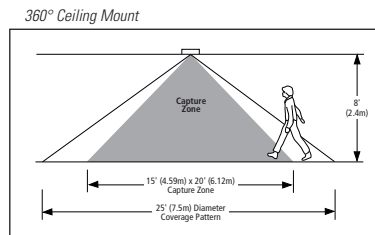
30' x 30' (9.14m x 9.14m)
 40' (12.19m) range
 40' (12.19m) range
 30' (9.14m) range
 15' x 20' (4.57m x 6.10m) at 8' (2.44m) high
 16' x 30' (4.88m x 9.14m) at 12' (3.65m) high
 Ceiling mounting height up to 12' (3.65m)

Mounting
LED indicator
Dimensions

Wall, corner or ceiling
 Walktest
 4.5" H x 2.75" W x 1.63" D
 (114mm) x (70mm) x (41mm)
 1.37" (35mm) depth behind wall
 .25" (6.4mm) depth in front of wall
 White/white

Color

Lens Coverage



Note: Intruder must enter coverage pattern 3'-4' (1-1.2m) to cross one zone for detection of alarm. False alarm sources, such as heaters, should be kept out of the coverage pattern.

Ordering Information

Model	Loop Type	Electrical Configuration
6255FM	Normally Closed	N.C.
6257FM	Normally Closed or Open	SPDT (N.C. and N.O.)



gsecuritysystems.com
 (925) 377-8411
 346 Rheem Blvd. #202 Moraga, CA 94556

GE Interlogix

www.GE-Interlogix.com

12345 SW Leveton Drive
 Tualatin, OR 97062
 Phone: 503-692-4052
 USA & Canada: 800-547-2556
 Technical Service: 800-648-7424
 Faxback: 800-483-2495

2266 Second Street North
 North St. Paul, MN 55109
 Phone: 651-777-2690
 USA & Canada: 800-777-5484