



Overview

With a 10+ year maximum life battery and advanced circuit design, the wireless door/window sensor from GE Security provides effective security that's easy to set up. Two-axis sensing and wireless technology make installation simple, even in tight spaces. The door/window sensor also features an optimized internal antenna design to increase range performance. Designed to monitor doors, windows, cabinets or virtually anything that opens, these sensors are compatible with new and existing GE Security systems.

Standard Features

- 10+ year maximum life battery for fewer changes and callbacks
- Two-axis sensing allows easy mounting in tight spaces
- Optimized internal antenna design increases range performance
- Advanced circuit design minimizes discreet components for reliability and efficiency
- Wireless technology installs easily and cost effectively
- Compatible with all GE 319.5 MHz control panels and receivers

Wireless Door/Window Sensor

Compact, two-axis design for convenient,
complete security



North America
T 888-GE-SECURITY
888-(437-3287)
F 561-998-6224
E rs-bctinfo@ge.com

Asia
T 852-2907-8108
F 852-2142-5063

Australia
T 61-3-9239-1200
F 61-3-9239-1299

Europe
T 32-2-725-11-20
F 32-2-721-40-47

Latin America
T 305-593-4301
F 305-593-4300

gesecurity.com

Specifications subject to change without notice.

© 2009 General Electric Company
All Rights Reserved

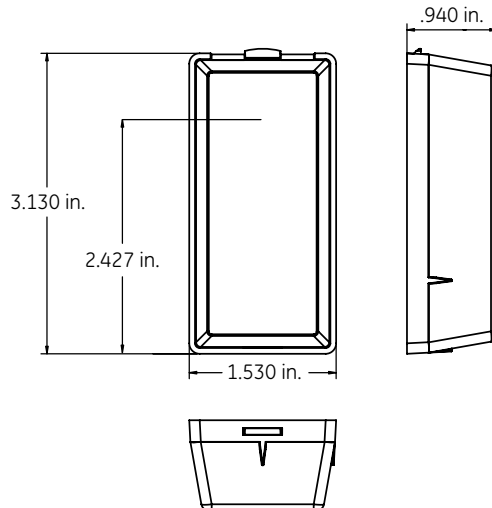
Specifications

Operating Temperature (Maximum)	120°F
Operating Temperature (Minimum)	10°F
Weight (Minimum)	1.9 oz.
Operating Voltage (Minimum)	3VDC
Color	White
Enclosure Material	ABS PA-717C
UL Rating(s)	UL 1023
FCC Standard	Part 15
Maximum Humidity	90% non-condensing
Dimensions (L x W x H)	Cover with base: 3.20" x 1.53" x 1.02" (81 x 38 x 26 mm)
Battery	3V DL123A Lithium (Duracell)
Typical Battery Life	>10 years
Battery Backup Time	7 to 14 days
Transmitter Frequency	319,508 MHz
Transmitter Frequency Tolerance	+/- 8 khz
Bandwidth	24 khz
Modulation Type	Amplitude shift key (ASK)
Unique ID Codes	16 million
Peak Field Strength	Typical 40,000 uV/m at 3 meters
Magnetic Sensitivity of Reed	10 to 20 amp turns
Reed Sensitivity	.38" (9.7mm) gap
Magnet Type	Alnico (permanent)
Magnet Dimensions	1.5" (38mm) long x 0.5" (12.7mm) high x 0.44" (11.2mm) wide
Supervisory Interval	64 minutes

Ordering Information

60-362N-10-319.5	Crystal Door/Window Sensor, White
60-362N-11-319.5	Crystal Door/Window Sensor, Brown
60-362N-10-319.5-PK	Crystal Door/Window Sensor, White, pk/25

Dimensional Diagram



Dimensions shown are for cover only,
does not include base.



gesecuritysystems.com
(925) 377-8411
346 Rheem Blvd. #202
Moraga, CA 94556



imagination at work